

Stingray (JS-950WS)
Caisse Enregistreuse (EPOS)

Prise en charge de plusieurs applications

Ecran tactile

Ecran 12" ou 15" en option

2 ou 4 lignes en option pour confirmer la commande du client



Basé à PC, processeur haute vitesse et une unité de stockage remplaçable en clientèle

Général

Type	Stingray
Unité centrale (CPU)	Objets Sélectionnables 3.2GHz (Intel Celeron D)
Mémoire (max)	512MB (Max 2GB)
Affichage	Objets Sélectionnables (Obligatoire :trois objets 12.1 TFT:SVGA/15 TFT:XGA/17 TFT (TBD)
Ecran tactile	Objets Sélectionnables (Obligatoire : deux objets) Capacitif/résistant
Stockage	Objets sélectionnables (Obligatoire: quatre objets) HDD 3.5"/HDD 2.5"/ Carte Flash/Carte Flash +HDD 2.5"
Port COM	4 Ports Libres sur 6 Ports (2 ports alimentés com sur 4 ports libres)
Port USB	Normal : 4 Ports, Alimenté: 2 Ports, 1 USB devant (pour service)
LAN	10/100/base-T
Tiroir-caisse	2 ports; 1 x DIN - 1 x RJ 11 (possibilité de connecter 2 par cable Y)
Affichage client	Objets sélectionnables (Optionnel: trois objets)20 caractères x 2 lignes 20 caractères pour 4 lignes/ 2eme LCD (8")
Appareil ID	Objets Sélectionnables (Optionnel: quatre objets) Piste Magnetique, Empreinte digitale/Clé Dallas/ RFID(TBD) nger Print/Dallas Key/RFID (TBD)
Taille (mm)	L: Ecran (12") unité 320 Empreinte 250 P:282 H:351
Processeur	3.2 GHz Intel Celeron
LCD	12" et 15"
Carte mémoire	Carte Flash
Stockage	40GB

RJ45 Ethernet	1.0
Deuxième port vidéo	1.0
Deuxième vidéo indépendant	Oui
Port tiroir-caisse	2 (12V et 24V)
Lecteur de carte magnétique	3 Pistes (Option)
Pile UPS	Non
Poids (kg)	N/A
Systèmes d'exploitation	MS-DOS - Windows 2000 - Windows XP Pro - Embedded
Couleur	N/A
Drivers	OPOS



Panasonic

Stingray the power to change



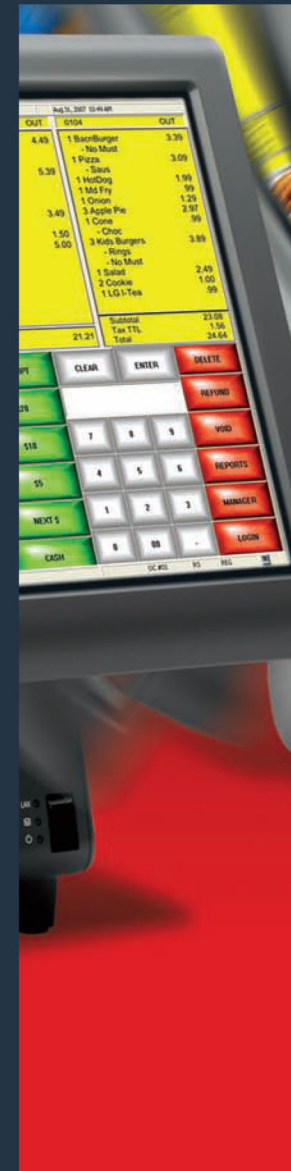
Security features

Integration of security solutions such as fingerprint/biometric readers and Dallas key systems for operator ID verification



Highest-speed processor

Runs virtually any application
Upgradeable RAM to run multiple applications



User-changeable LCD display

Adjustable, dual back lit LCD display
High-resolution, high-contrast images for faster, more accurate order taking
Available in 12" or 15"
Resistive or capacitive touch screen technology
15" LCD anti-glare touch screen display can be oriented as portrait or landscape



open architecture

Panasonic transforms the POS market with the revolutionary new Stingray – the workstation with the power to change. Stingray's open architecture runs virtually any operating system and software, so you can implement most any off-the-shelf or custom POS application to meet your specific needs. With the highest speed processor and up to 2 GIG of on-board RAM, Stingray is ideal for stand-alone applications or integrated into a network to run the most demanding back office operations. Stingray even runs multiple software applications, for enhanced functionality. And Stingray is backwards compatible, allowing operators to replace one workstation at a time for maximum cost-efficiency.

Field-replaceable hard drive

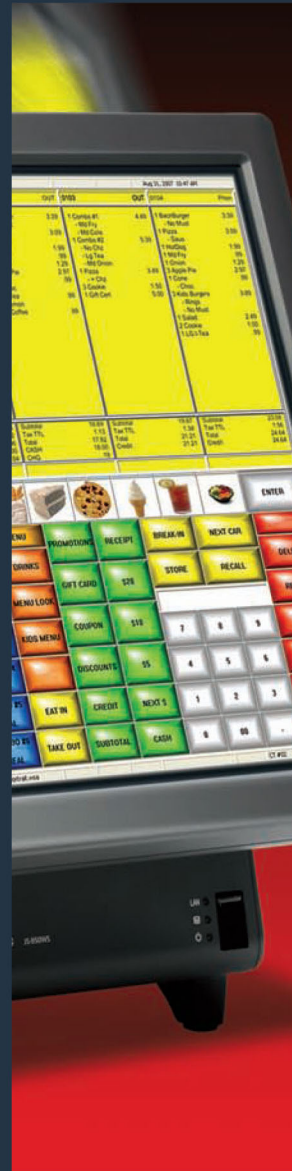
Customizable 3 1/2" or 2 1/2" hard drive, compact flash (CF) card, or 2 1/2" hard drive with CF card



POP display/order verifier

Rear-facing, 2 line or 4 line optional customer order confirmation displays improve order accuracy

Optional built-in full screen rear LCD display for promotions and improved order confirmation/accuracy



Magnetic card reader

Optional magnetic card reader can be mounted in two different positions

Supports 3 tracks of information, allowing acceptance of credit, debit, gift, loyalty, and crew cards



modular

Stingray's unique all-in-one modular design allows convenient, cost-effective customization to meet specific application needs. Configure Stingray with the confidence of knowing you have the power to change any time. Increase RAM, swap or change hard drives, remove or replace the LCD display or switch the display from landscape to portrait, add a card reader where you want, or add security devices – all without a technician. There's even the capability to add a hand-held order taker to keep lines moving. All of which makes Stingray a smart economic choice as well.



powerful, durable, reliable and cost-efficient

Stingray provides all the power and speed to run virtually any software application. Configure Stingray to meet the demands of your business today, with the ease and convenience to upgrade as your business grows or your needs change. Built to withstand spills, static, dust, dirt, shock, grease, extreme temperatures and humidity, Stingray delivers all the durability and reliability you've come to expect from the company with nearly a million POS solutions placed worldwide.

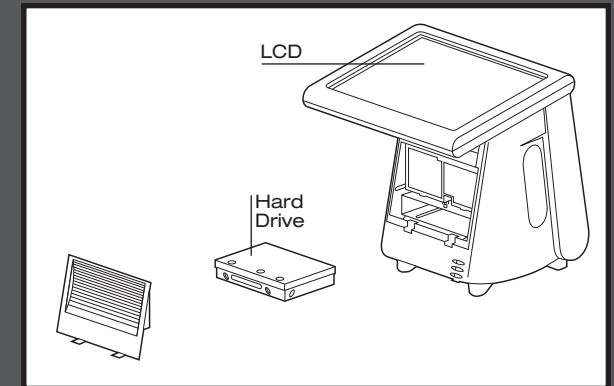
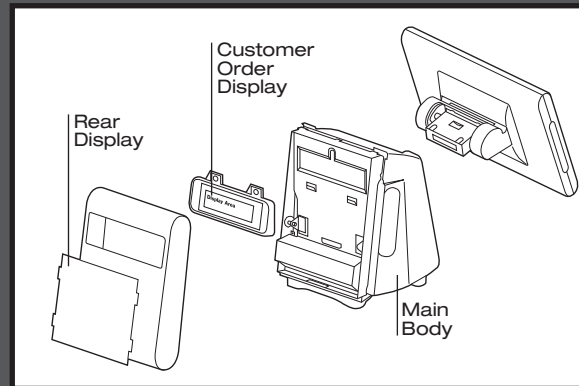
Put the power to change to work for you with Stingray - only from Panasonic.

Stingray

Panasonic ideas for life

1.877.726.2767 • possales@us.panasonic.com • www.panasonic.com/stingray

Stingray the power to change



modular design makes service easy and cost-efficient

Stingray's unique modular design greatly simplifies serviceability. Engineered with components you can easily replace yourself, Stingray offers lower total cost of ownership by allowing you to virtually eliminate the time and expense of service calls and service contract fees.

Stingray's LCD display, hard drive, main body, rear display (static or interactive) and 2/4 line customer order display are user-removable and replaceable through the use of conveniently placed thumb screws. It's fast, easy, and cost effective – simply place a sales order for a new module or stock the inventory on your own shelf to virtually eliminate downtime. No service contract required – pay only for parts.



Easy-to-use thumb screws allow the end user to remove/replace modules

Stingray's modular design also allows for do-it-yourself on-site troubleshooting. You can simply swap modules between workstations to isolate for testing and to verify functional status. Or swap modules from low volume workstations to higher volume down workstations to minimize impact to your restaurant – all without a technician or service contract.

unsurpassed quality testing ensures durability

Panasonic uses tough quality control and durability tests to ensure each Stingray workstation will stand up to the rigors of everyday use in the field. Every Panasonic workstation is purpose built for the restaurant environment, and they're known to last over 15 years – a testament to strict quality control.

With nearly 30 years in the industry, Panasonic has vast experience gained from designing, engineering and supporting multiple generations of Point of Sale solutions. All reflected in the quality, durability, convenience and intelligence built into every Stingray – and giving you the power to change.



Stingray is doused to test water resistance



Panasonic ideas for life

1.877.726.2767 • possales@us.panasonic.com • www.panasonic.com/stingray